

CASCADE

Moderate, inline pre-filter unit, accessory

PUREX
CLEAN AIR FOR EVERYONE



Description & features

The cascade inline pre-filter is an accessory unit allowing for an additional layer of particle filtration used to capture larger particulates.

- Removes large particles from the processed air
- Extends the life of the filters in the fume extractor
- Can be used on applications where large quantities of dust are produced
- Filter can be assessed to help deal with sticky particles
- Filter can be emptied and shaken to prolong life

Filters



OR

Pre-filter Code

111107

Description

Needlefelt cascade

Pre-filter Code

111117

Description

F8 / F9 composite

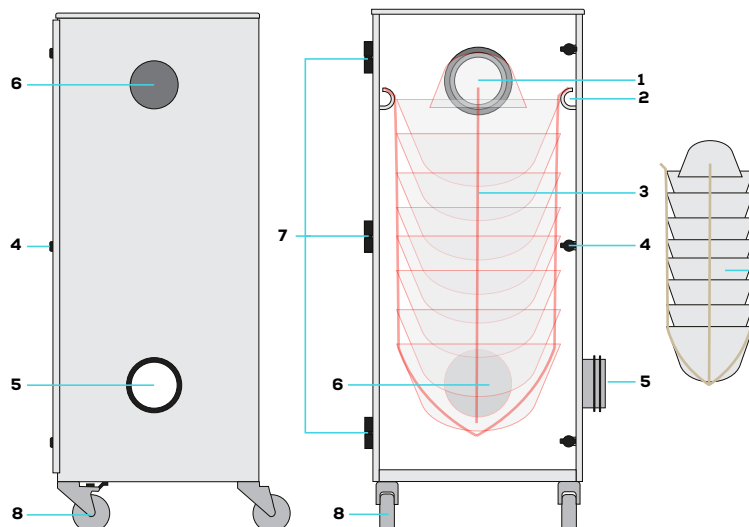
Specification

Part Number	890180
Cabinet Height	1063mm
Cabinet Width	430mm
Cabinet Depth	430mm
Cabinet Weight	30kg

Machine supplied with

- 1 x Cascade pre-filter
- 1 x Connection kit

Technical



LEGEND

- 1. Air inlet - 100mm safe seal
- 2. Cascade pre-filter hooks
- 3. Cascade pre-filter
- 4. Door latches
- 5. Air outlet - 100mm safe seal
- 6. Blanking plates
- 7. Door hinges
- 8. Castors

Find out more: W purex.co.uk | [T +44 \(0\)1405 746030](tel:+44(0)1405746030) | [E purex@purex.co.uk](mailto:purex@purex.co.uk)

Registered Office: Purex International Limited, QWP House, Island Drive, Capitol Park, Thorne, Doncaster DN8 5UE
Registered No. 5136616 England | VAT No. GB842 5025 49 | WEEE Producer Registration Number: WEE/CE0067TX
*Goods are subject to change | *Illustrations are 3D created visual representations

CASCADE

Moderate, inline pre-filter unit, accessory

Options

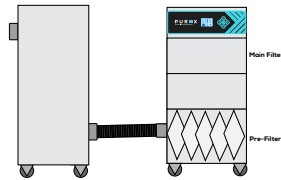
Compatibility

For the inline cascade cabinet to work appropriately alongside a 400i it will need to use the included 100-80mm reducer fitting

Machines	Cascade	100mm - 80mm Reducer	Works as Intended
800i	✓	✗	✓
400i	✓	✗	✗
400i	✓	✓	✓

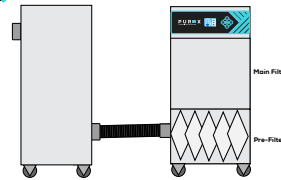
800i

Works as intended
✓



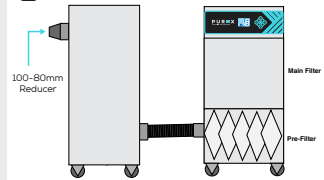
400i

Works as intended
✗



400i

Works as intended
✓



Connection Kit

100186

Hose End Diameter	Hose Length	Purex Inlet Diameter
100mm	1.0m	100mm

