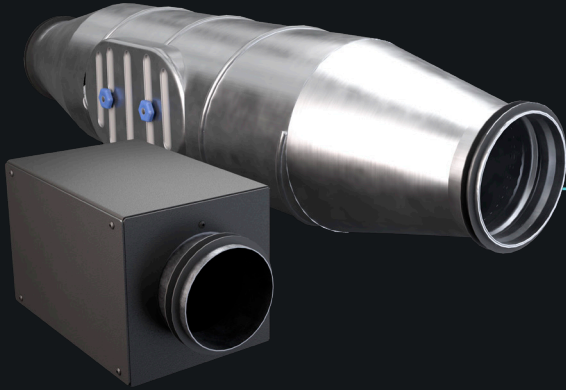


SPARK ARRESTOR

Preventing ingress of sparks and hot particles

PUREX
CLEAN AIR FOR EVERYONE



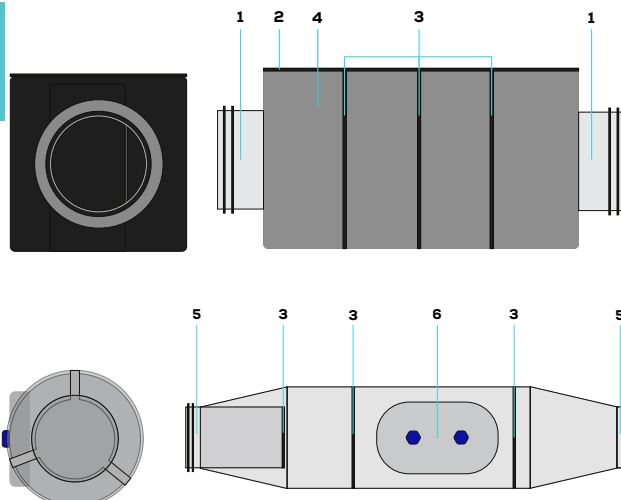
Description & features

- The spark trap box or tunnel are used to prevent sparks from entering the extraction machine
- It works by extinguishing sparks against the baffle plates cooling and collecting the hot material inside the spark arrestors
- The top section is removeable so the spark trap box and tunnel can be emptied and cleaned.
- This is placed in line with the pipework

Specification

Inlet / Outlet Diameter	80mm	100mm	150mm	200mm
Part Number	890240	890242	890256	890247
Accessory Height	143mm	143mm	250mm	300mm
Accessory Width	143mm	143mm	250mm	300mm
Accessory Depth	252mm	252mm	1100mm	1100mm
Accessory Weight	3kg	3kg	7kg	10kg

Technical



LEGEND

- 1. Air inlet/outlet 80mm or 100mm
- 2. Spark box lid
- 3. Striker plates / Baffle plates
- 4. Spark box body
- 5. Air inlet/outlet 150mm or 200mm
- 6. Viewing slot

Find out more: W purex.co.uk | [T +44 \(0\)1405 746030](tel:+44(0)1405746030) | [E purex@purex.co.uk](mailto:purex@purex.co.uk)

Registered Office: Purex International Limited, QWP House, Island Drive, Capitol Park, Thorne, Doncaster DN8 5UE
Registered No. 5136616 England | VAT No. GB842 5025 49 | WEEE Producer Registration Number: WEE/CE0067TX
*Goods are subject to change | *Illustrations are 3D created visual representations

SPARK ARRESTOR

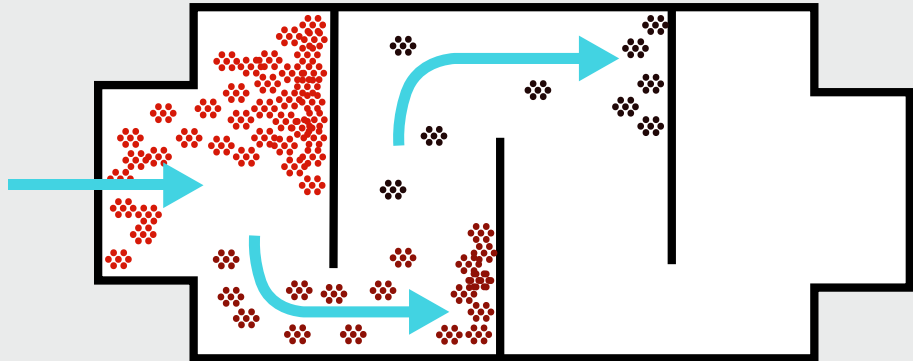
Inline, preventing ingress of sparks and hot particles

Options

Operational Principle

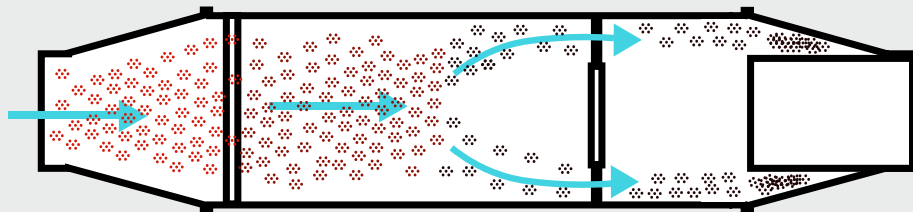
890240 | 890242

The baffle plates weaken the sparks preventing them from exiting the spark arrester



890256 | 890247

Hitting the striker plates prevents all sparks from travelling through the tunnel



Installation Example

890240 | 890242

Spark Arrester Box



890240 | 890242

Spark Tunnel Box



Spark arrester or tunnel must be checked and emptied as part of routine maintenance